

ZDAK

AL BUNDLE ANGULAR TERMINAL



DUPLEX T-CONNECTOR

Conductor Ø59mm

Electric field in $\text{kV}\cdot\text{mm}^{-1}$.

Colour simulation results show the peak stress points.

Nominal Voltage:

$V_{\text{ph-ph}} = 765\text{kV}$

Ground elevation 9,5m

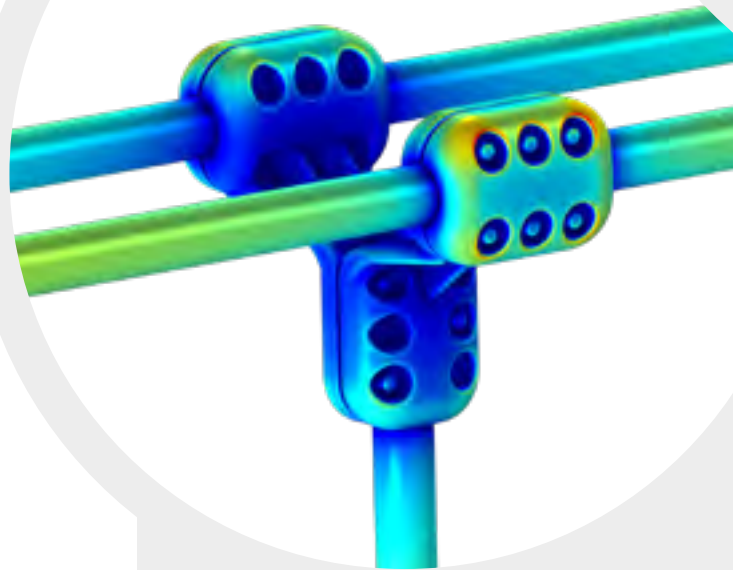
ZDT

AL BUNDLE T-CONNECTOR



ZDT

AL BUNDLE T-CONNECTOR



SD

AL SPACER



SHDB

AL BUNDLE SUPPORT



ZDAK

AL BUNDLE ANGULAR TERMINAL



ZDAK

AL BUNDLE ANGULAR TERMINAL



DUPLEX T-CONNECTOR

Conductor Ø59mm

Electric field in $\text{kV}\cdot\text{mm}^{-1}$.

Colour simulation results show the peak stress points.

Nominal Voltage:

$V_{\text{ph-ph}} = 765\text{kV}$

Ground elevation 9,5m

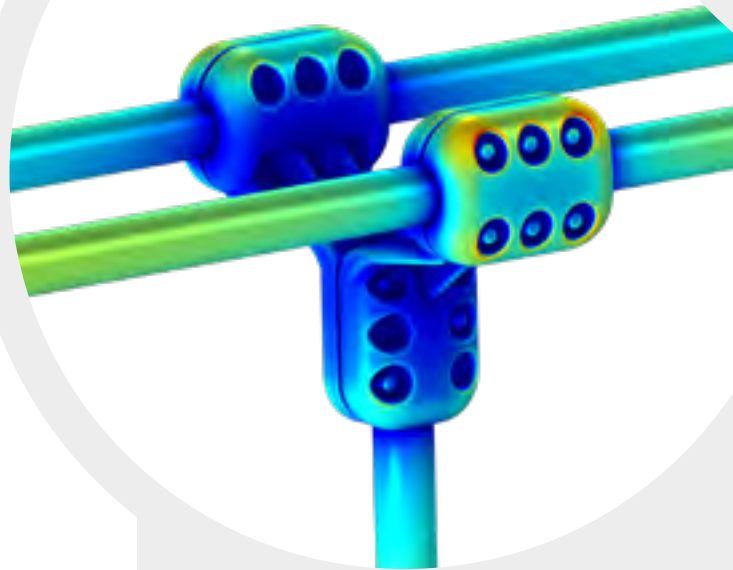
ZDT

AL BUNDLE T-CONNECTOR



ZDT

AL BUNDLE T-CONNECTOR



Our special designs for UHV substation connectors upper than 500kV are totally protected from corona effect



**EXPANSION
FRICTION
ADJUSTABLE
CONNECTOR**

Tube Ø160mm

Electric field in $\text{kV}\cdot\text{mm}^{-1}$.
Colour simulation results
show the peak stress points.

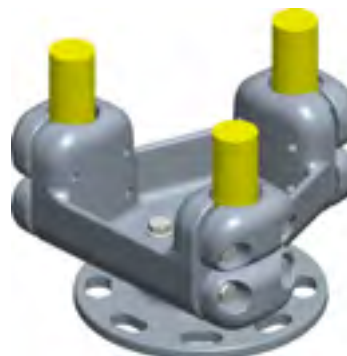
Nominal Voltage:
 $V_{\text{ph-ph}} = 550\text{kV}$
Ground elevation 8m



ZPD
AL SINGLE-BUNDLE
PARALLEL CONNECTOR



ZSD
AL SINGLE-BUNDLE
STRAIGHT COUPLER



ZVHDB
AL BUNDLE VERTICAL SUPPORT

Our special designs for UHV substation connectors upper than 500kV are totally protected from corona effect



**EXPANSION
FRICTION
ADJUSTABLE
CONNECTOR**

Tube Ø160mm

Electric field in $\text{kV}\cdot\text{mm}^{-1}$.
Colour simulation results
show the peak stress points.

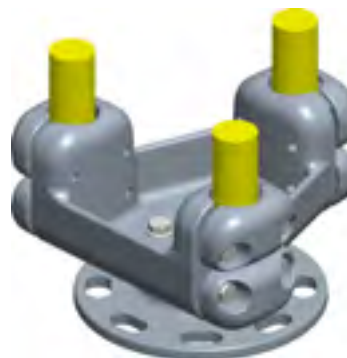
Nominal Voltage:
 $V_{\text{ph-ph}} = 550\text{kV}$
Ground elevation 8m



ZPD
AL SINGLE-BUNDLE
PARALLEL CONNECTOR



ZSD
AL SINGLE-BUNDLE
STRAIGHT COUPLER



ZVHDB
AL BUNDLE VERTICAL SUPPORT



ZDTD

AL BUNDLE-BUNDLE T-CONNECTOR



ZSD

AL SINGLE-BUNDLE STRAIGHT COUPLER



ZTD

AL SINGLE-BUNDLE T-CONNECTOR

Our special designs for UHV substation connectors upper than 500kV are totally protected from corona effect



**EXPANSION
FRICTION
ADJUSTABLE
CONNECTOR**

Tube Ø160mm

Electric field in $\text{kV}\cdot\text{mm}^{-1}$.
Colour simulation results
show the peak stress points.

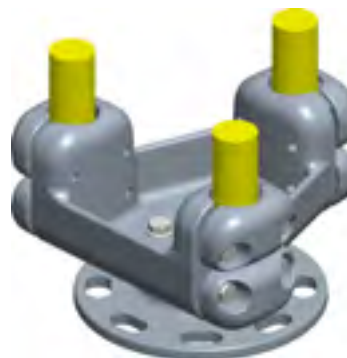
Nominal Voltage:
 $V_{ph-ph} = 550\text{kV}$
Ground elevation 8m



ZPD
AL SINGLE-BUNDLE
PARALLEL CONNECTOR



ZSD
AL SINGLE-BUNDLE
STRAIGHT COUPLER



ZVHDB
AL BUNDLE VERTICAL SUPPORT